

Features

0.8" digit height (Digital)
 High segment intensity
 Range of colours
 Multiplexing capability
 ROHS Compliant

Options

Black or Grey face colour
 Colored segments
 Copper terminal pins
 Long terminal pins
 Low current version



Electro Optical Characteristics $I_F = 20\text{mA}$ ($T_A = 25^\circ\text{C}$)

Part Number		Emitting Colour	Wavelength Peak λ_P (nm)	Forward voltage V_F (V)	
Common Cathode	Common Anode			Typical	Max
080R1B SB	080R1A SB	Superbright Blue	460	2.9	3.2
080R1B UB	080R1A UB	Ultrabright Blue	460	2.9	3.2
080R1B SG	080R1A SG	Superbright Pure Green	530	3.0	3.4
080R1B UG	080R1A UG	Ultrabright Pure Green	530	3.0	3.4
080R1B UYG	080R1A UYG	Superbright Yellow Green	560	2.0	2.2
080R1B UOR	080R1A UOR	Ultrabright Amber	610	1.9	2.2
080R1B UY	080R1A UY	Ultrabright Yellow	590	1.9	2.1
080R1B SR	080R1A SR	Superbright Red	650	1.9	2.1
080R1B UR	080R1A UR	Ultrabright Red	660	1.9	2.1

Absolute Maximum Ratings $T_a=25^\circ\text{C}$

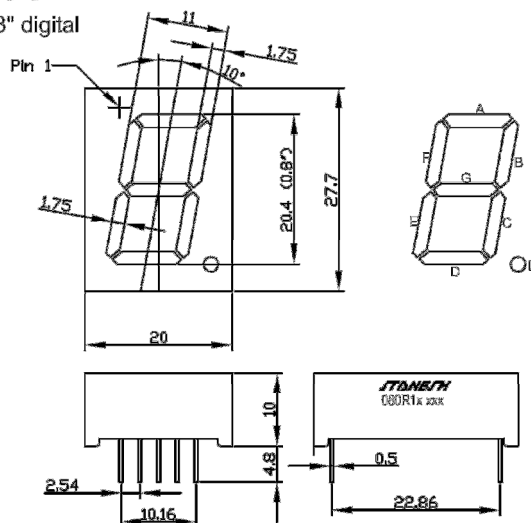
Characteristic	Symbol	Rating	Unit
DC forward current	I_F	20	mA
Reverse Voltage	V_R	5	V
Operating Temperature	T_{opr}	-25 to +80	$^\circ\text{C}$
Storage Temperature	T_{stg}	-30 to +85	$^\circ\text{C}$
Lead Soldering Temperature ¹	-	260	$^\circ\text{C}$

¹ 1.6mm from body – max 3 seconds

Product Diagram (All dimensions are in mm)

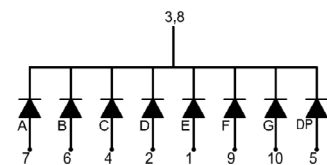
080R1x xxx

0.8" digital



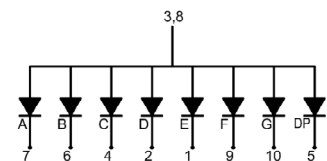
080R1B xxx

Common cathode



080R1A xxx

Common anode



**Specifications may change due to new materials or product improvement*